

 **SOREDEX**

CRANEX[®]
Novus



Fast. Easy. Competitive.
Digital panoramic **X-ray** unit

**DIGITAL IMAGING
MADE EASY**



With SOREDEX's 30 years of experience in developing state-of-the-art dental panoramic systems, SOREDEX turns another page in its history

by introducing CRANEX® Novus, a new direct digital panoramic system.



CRANEX[®] NOVUS – THE NEXT STEP FORWARD

The CRANEX[®] Novus is a fast, easy-to-use and above all affordable digital X-ray system. It is designed for dental offices that demand a first class digital panoramic unit at an economical price.



IMAGING PROGRAMS

Image quality

The extremely sensitive CCD sensor and advanced electronics together with software ensure correct exposure values for every patient.

Adult panoramic

The standard program for routine panoramic examinations. It incorporates advanced spinal compensation that allows correct display of the dental anatomy with no distracting spinal shadow.



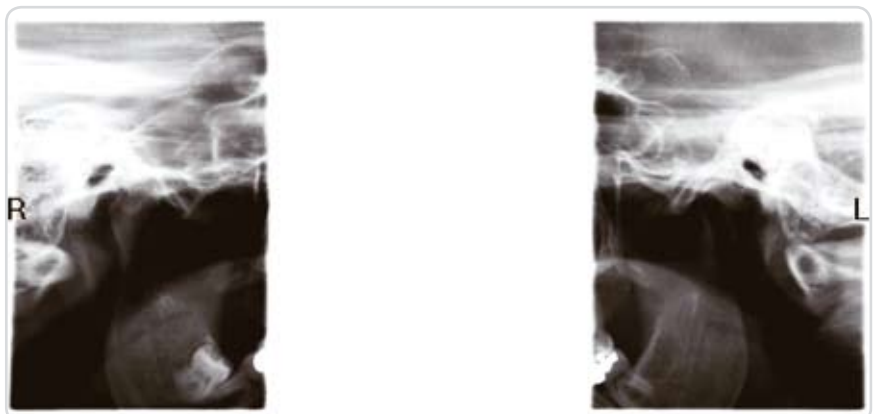
Pediatric program

Designed for children and small adults. Automatically shortens the exposure time and reduces the width of the exposed image for a lower X-ray dose.



TMJ

Provides imaging with the mouth open and/or closed for functional evaluation and condyle anatomy.



FAST – EASY – AFFORDABLE

Adult panoramic exposures in 9 seconds with absolutely no compromise in image quality. Clean, simple lines and smooth, flat surfaces suit all dental environments. Compact, small footprint makes easy to fit CRANEX® Novus into any clinic.





Patient positioning

- 4-point head support ensures patient stability
- Easy-closing, self-locking temple supports
- Quick-release forehead support
- Rigid patient handles with integrated chin rest for patient stability



Control panels

- Two control panels for making daily work easy
- Main control panel and display for setting up the unit before positioning the patient
- Side control panel for positioning the patient



MiniDose function

- The MiniDose function ensures that patients receive the minimum radiation dose with absolutely no compromise in image quality

OPTIMUM WORK FLOW

The fast exposure time and easy operation can dramatically improve the work flow in your practice.





Very easy to use

1) Select the program.

2) Position the patient.

Fixed bite block positioning and two sharp and bright laser positioning lights make patient positioning easy.

3) Take the exposure.

The fast, 9 second exposure prevents motion blurring and minimizes patient discomfort.

4) Release the patient.

By the time you have guided the patient out of the unit, the image is on the PC screen ready to be examined.

DIGITAL IMAGING

Software compatibility

In addition to SOREDEX software products CRANEX® Novus may be used with many patient management and imaging softwares. Simple Ethernet connection to a PC or network.



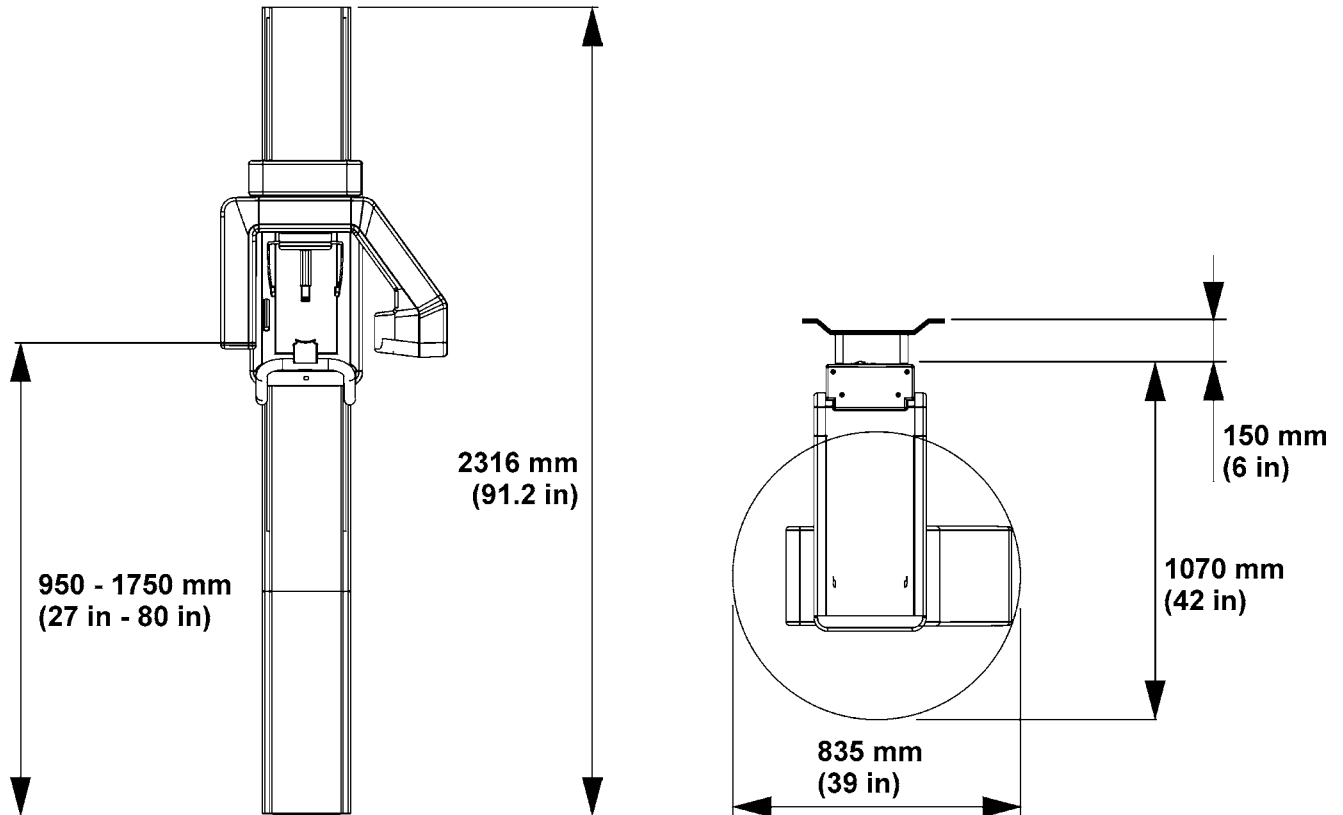
SOREDEX TWAIN takes advantage of the industry standard TWAIN interface to enable images acquisition into a 3rd party imaging application*.

** 3rd party imaging application must comply with Medical Device Directive 93/42/EEC and /or FDA if applicable.*

DIGORA® for Windows® and CV XV offer a comprehensive set of imaging tools to assist you with your daily imaging tasks. Total flexibility is yours with either single-user or network versions. Optional DICOM services are also available.

SorCom provides a simple-to-use direct "DICOM bridge" for acquiring images into a DICOM system, where DICOM imaging software is already in use.

TECHNICAL DATA



General

Generator	High frequency DC generator
X-ray tube	KL-40 or equivalent
Focal spot size	0.5 mm
Minimum total filtration	2 mm Al
Line voltage	230/240 Vac \pm 10%/115 Vac (50/60 HZ)
Anode voltage	60/70 kV
Anode current	7 mA
Exposure time	9 s panoramic
SID	500 mm (19.69") panoramic
Fusing	5 A/8 A slow (230/115 Vac)
Weight	Pan 100 kg (220 lbs)
Electrical safety classification	EN 60601-1 class 1/B
Color	RAL 9003, RAL 9006

Digital Unit

Sensor	CCD-detector
Active sensor surface	PAN: 147.5 x 6.1 mm
Pixel size	96 μ m
Resolution	6,25 lp/mm
File size	PAN max: 9.5 MB

Workstation computer recommendations

Operating system	Windows® XP Professional/Home/SP1 or SP2, Windows® 2000 Professional/SP4/SP6a
------------------	---



DIGITAL IMAGING
MADE EASY



Head office and factory:

SOREDEX

Nahkelantie 160, Tuusula
P.O. Box 148, FI-04301 Tuusula
Finland
Tel. +358 45 7882 2000
Fax +358 9 701 5261
info@soredex.com

Subsidiary, SOREDEX USA

1245 W. Canal Street.
Milwaukee, WI 53233, U.S.A.
Tel. +1 800 235 8854
Fax +1 414 481 8665
info@soredexusa.com

Subsidiary, SOREDEX Germany

Schutterstrasse 12
77746 Schutterwald
Germany
Tel: +49 (0) 781 28 41 98-0
Fax: +49 (0) 781 28 41 98-30
kontakt@soredex.de

SOREDEX designs, develops, manufactures and markets dental imaging systems, with an emphasis on innovative digital solutions. Operating worldwide, SOREDEX offers quality imaging systems of true diagnostic value, based on an in-depth understanding of the dental practice. Applying three decades of experience of imaging excellence, we offer reliable and easy-to-use solutions that help you focus on patient care.

SOREDEX digital imaging systems are innovative and accurate diagnostic tools that integrate seamlessly and easily into a dental practice, enhancing the imaging process and improving workflow. Our systems are designed to be simple and easy to use. They will make your dental practice more efficient and ultimately give you more time for your patients.

SOREDEX stands for innovation and value in dental X-ray technology.

MINRAY®, CRANEX® and DIGORA® are registered trademarks of SOREDEX, PaloDex Group Oy. Other product names and trademarks are the property of their respective owners. CE marked, NB (CE) number 0537. Electric safety according to IEC 60601-1. Manufacturing complies with ISO 13485:2003, ISO 9001:2000 and ISO 14001:2004.



SOREDEX reserves the right to make changes in specification and features shown herein at any time without notice or obligation. Contact your SOREDEX representative for the most current information.
© 2009 SOREDEX

70666 09/09 Printed in Finland